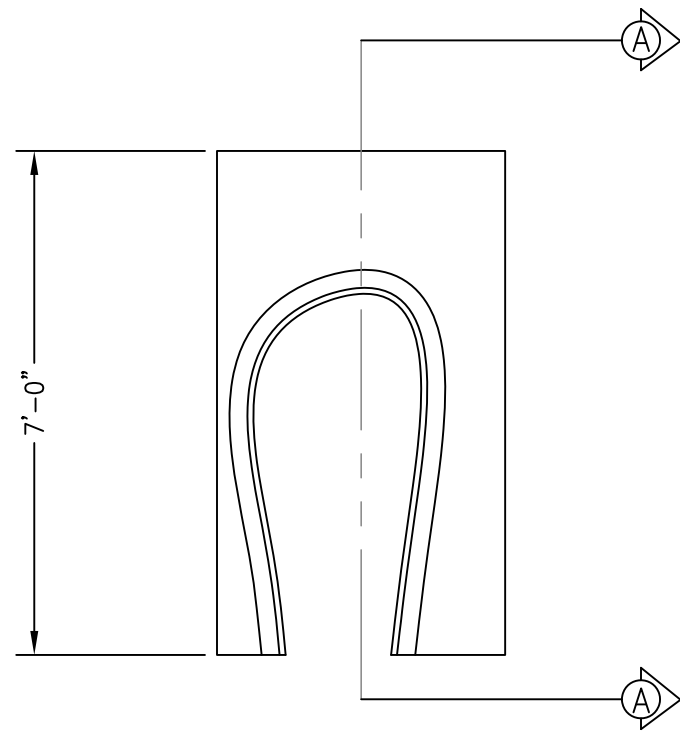
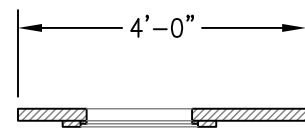


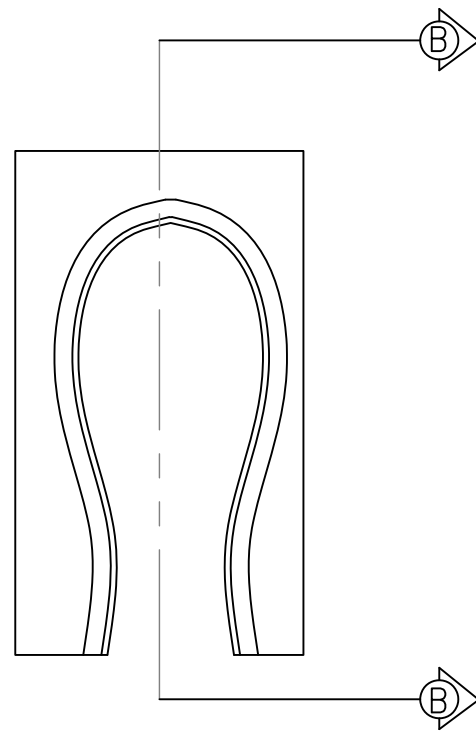
AUTOCAD FINAL EXAM		
BLISS INSTALLATION		
GROUNDPLAN		
DIRECTOR:	SOFIA CAETANO	PLATE NO. 1/5
DESIGNER:	COREY UMLAUF	
DRAFTED BY:	COREY UMLAUF	
SCALE: 3/8" = 1'-0"		DATE: 4-28-16



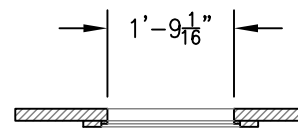
PORTAL A



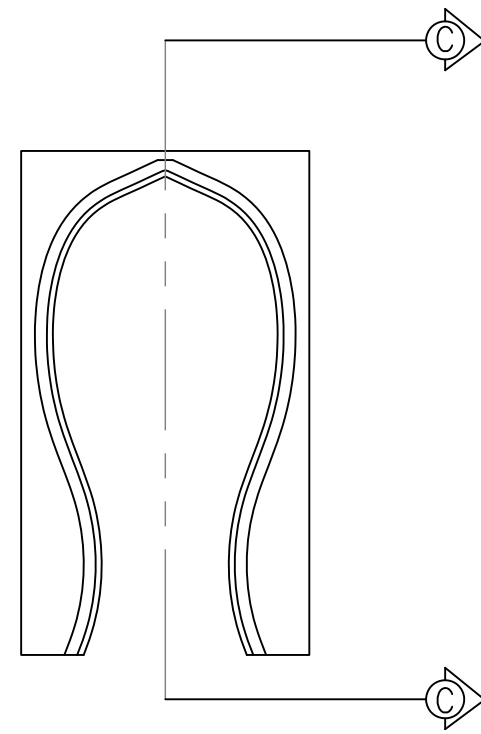
PLAN VIEW A



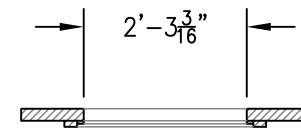
PORTAL B



PLAN VIEW B

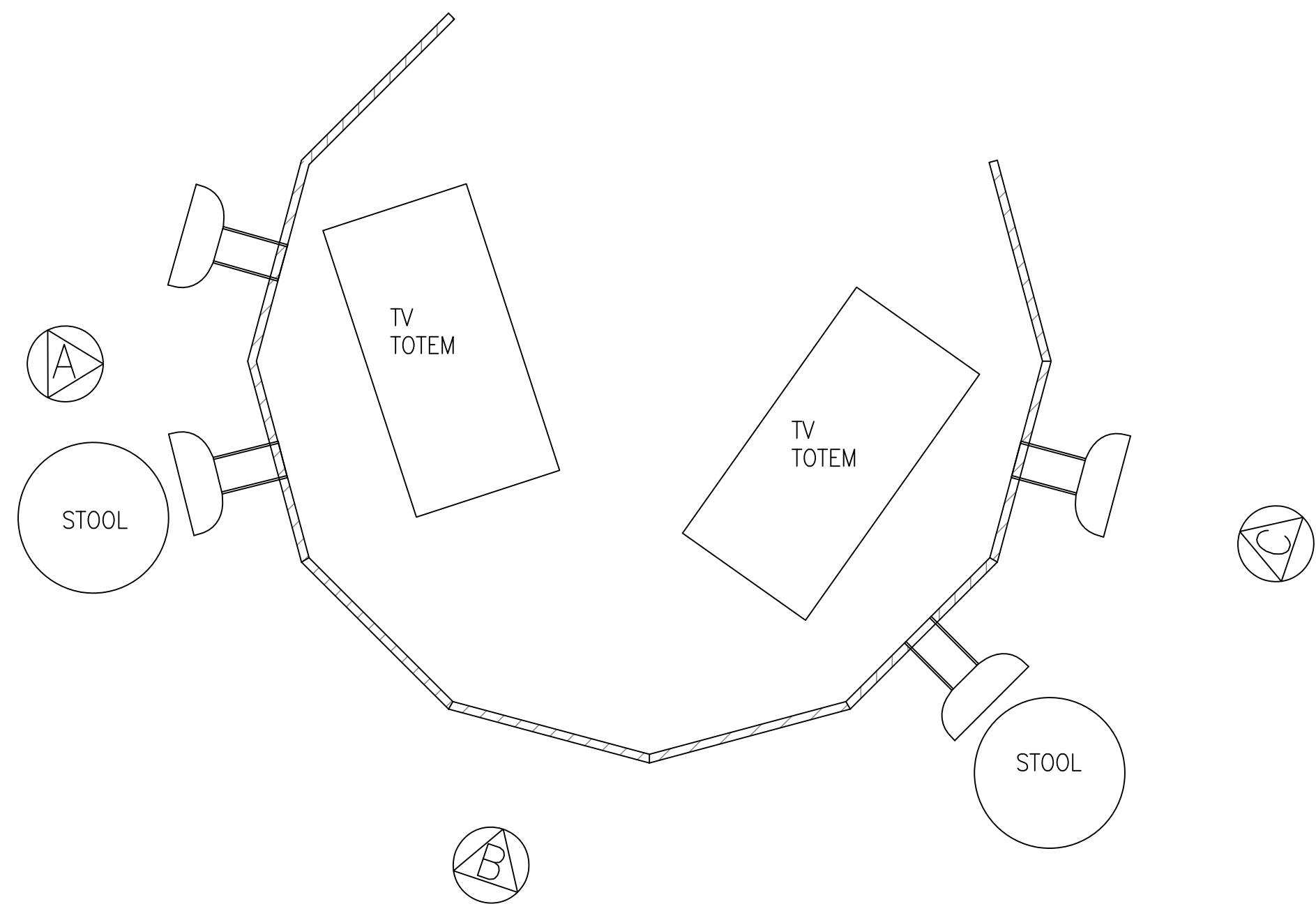
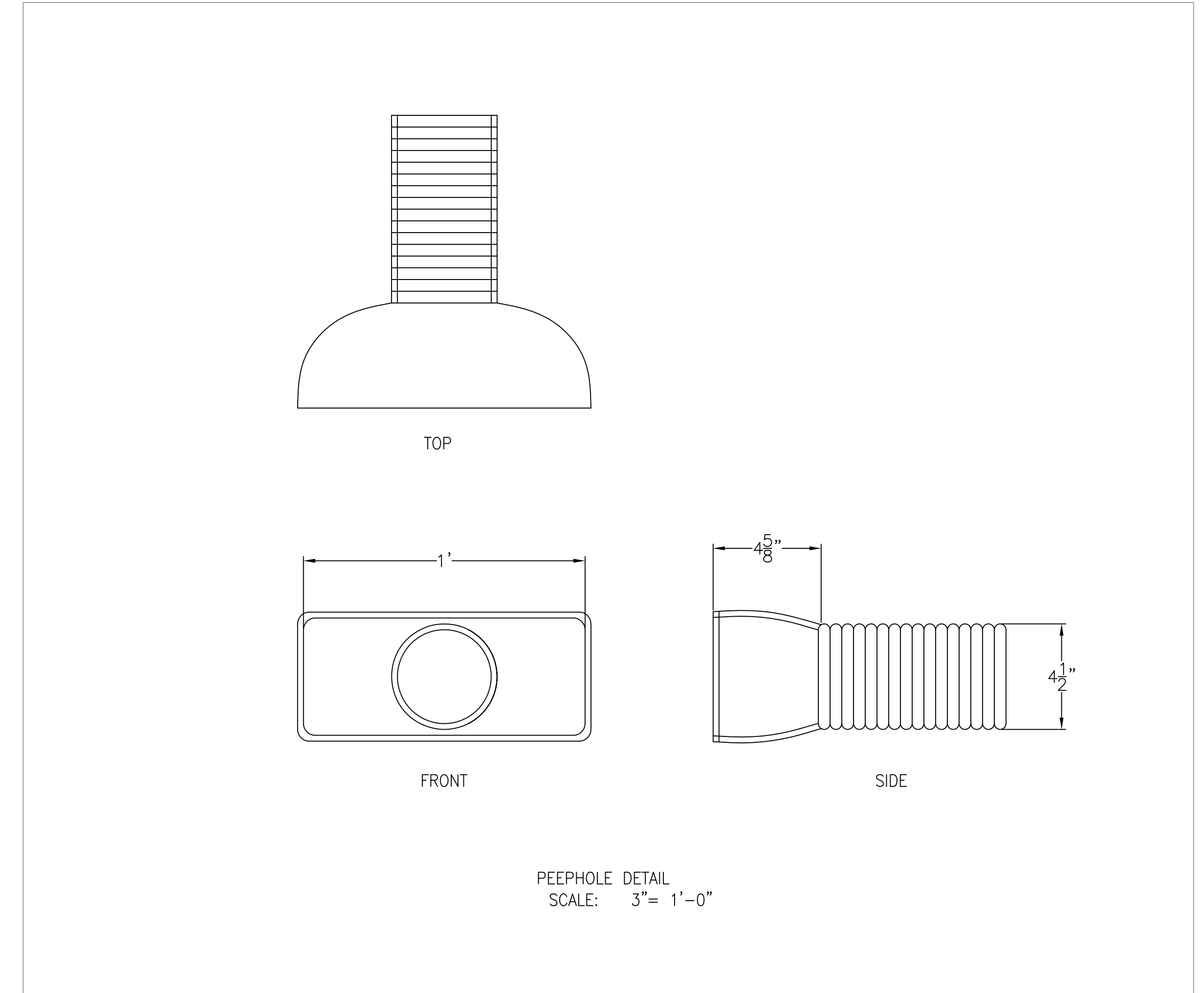
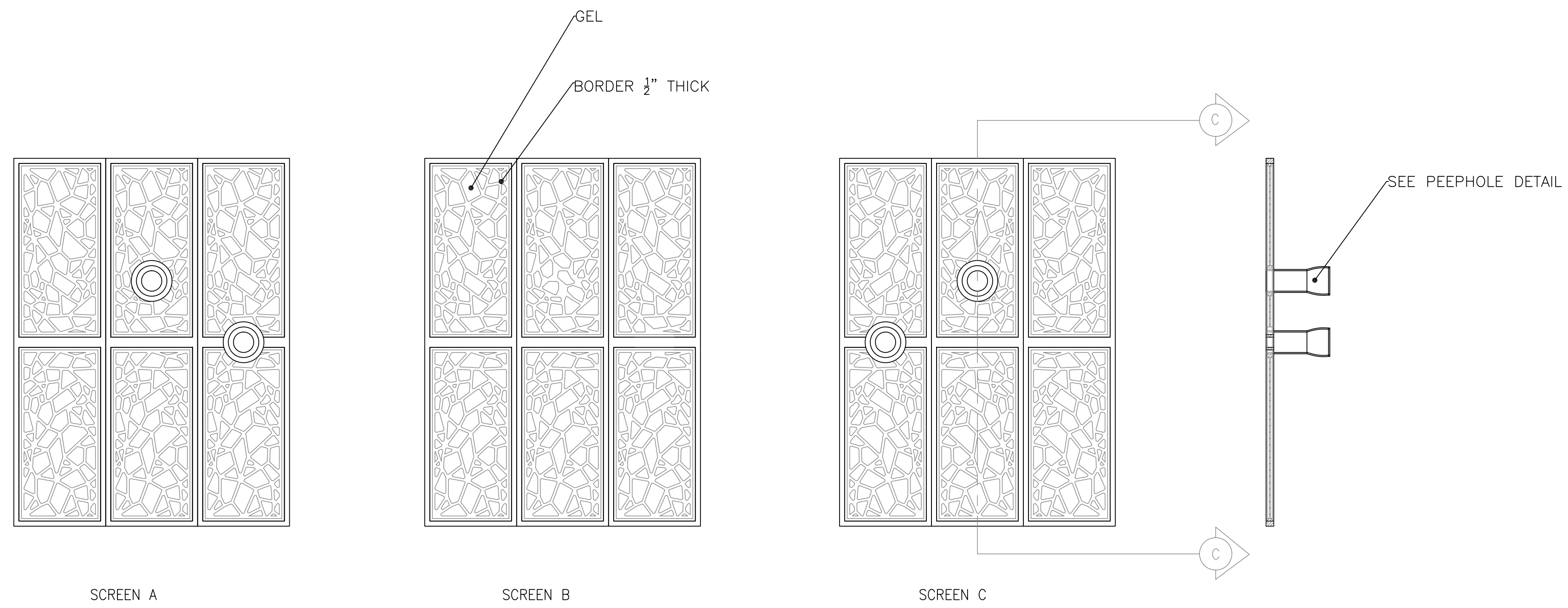


PORTAL C



PLAN VIEW C

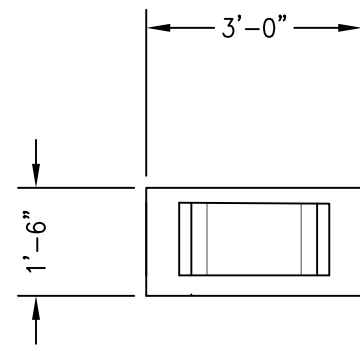
AUTOCAD FINAL PROJECT		4-28-16
BLISS INSTALLATION		
ENTRANCE PORTAL ELEVATIONS		DATE:
DIRECTOR: SOFIA CAETANO	PLATE NO. 2/5	
DESIGNER: COREY UMLAUF		
DRAFTED BY: COREY UMLAUF		
SCALE: 3/8" = 1'-0"		



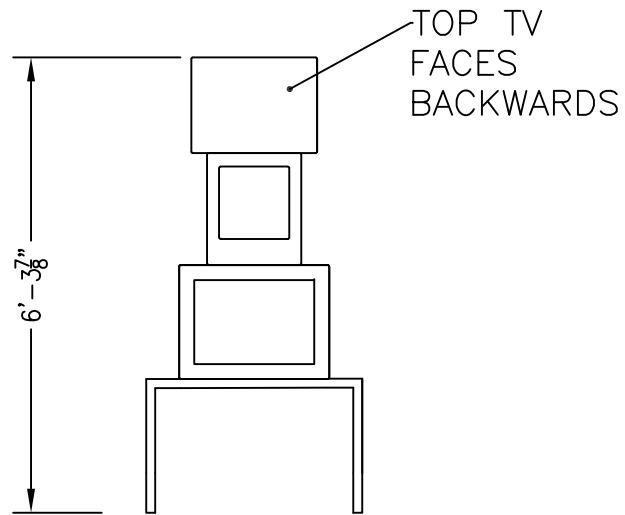
SCIENTIST'S ROOM: PLAN VIEW
SCALE: 3/4" = 1'-0"

PEEPHOLE DETAIL
SCALE: 3" = 1'-0"

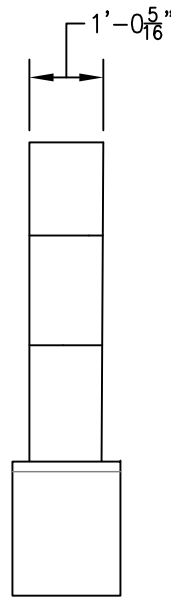
AUTOCAD FINAL		4-28-16
BLISS INSTALLATION		
SCIENTIST'S ROOM ELEVATION		
DIRECTOR:	SOFIA CAETANO	PLATE NO. 3/5
DESIGNER:	COREY UMLAUF	
DRAFTED BY:	COREY UMLAUF	
SCALE: AS NOTED		DATE:



TOP

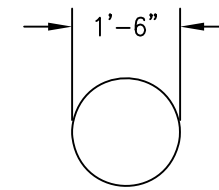


FRONT

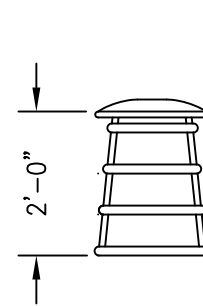


SIDE

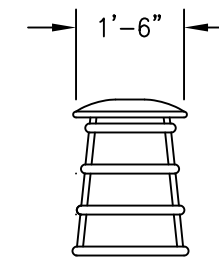
TV TOTEMS (2 TOTAL)



TOP



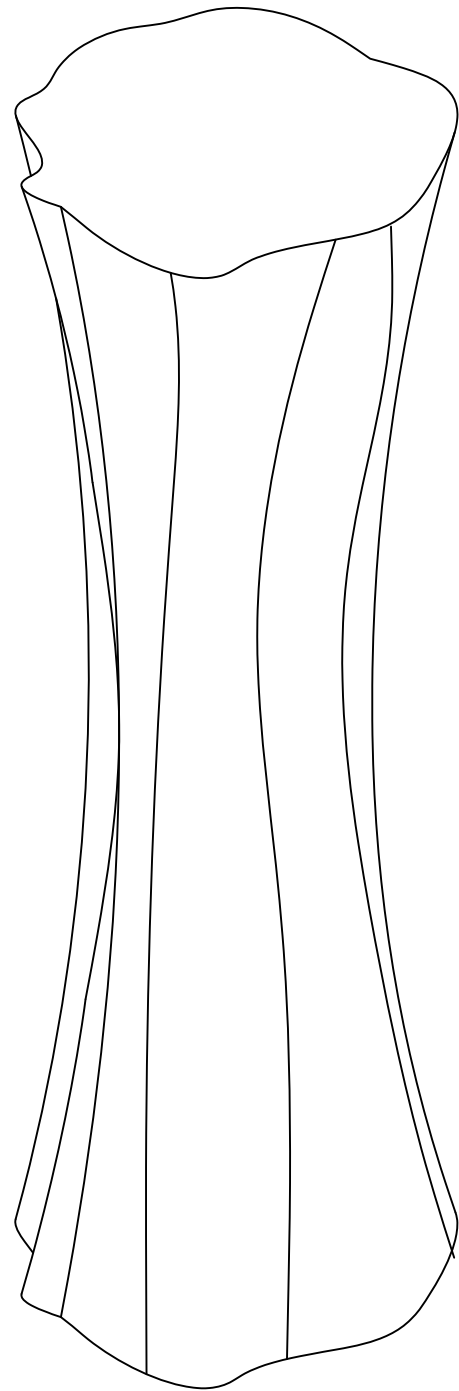
FRONT



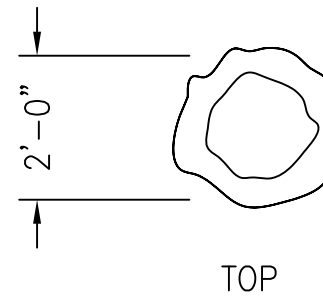
SIDE

STOOLS (2 TOTAL)

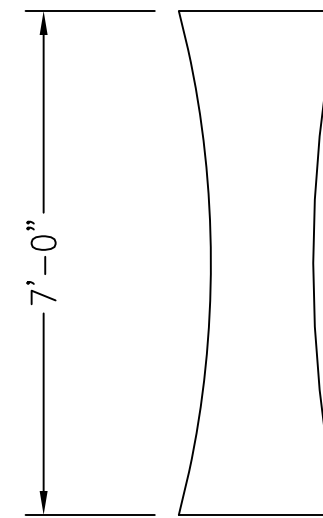
AUTOCAD FINAL EXAM		DATE: 4-28-16
BLISS INSTALLATION		
TV TOTEM AND STOOL DETAILS		
DIRECTOR: SOFIA CAETANO	PLATE NO. 4/5	
DESIGNER: COREY UMLAUF		
DRAFTED BY: COREY UMLAUF		
SCALE: 3/8" = 1'-0"		



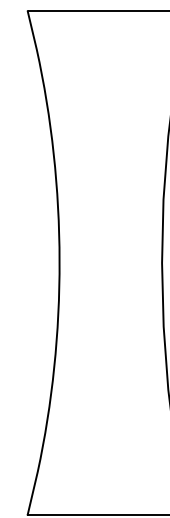
3D VIEW (NO SCALE)



TOP

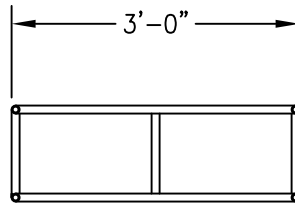


FRONT

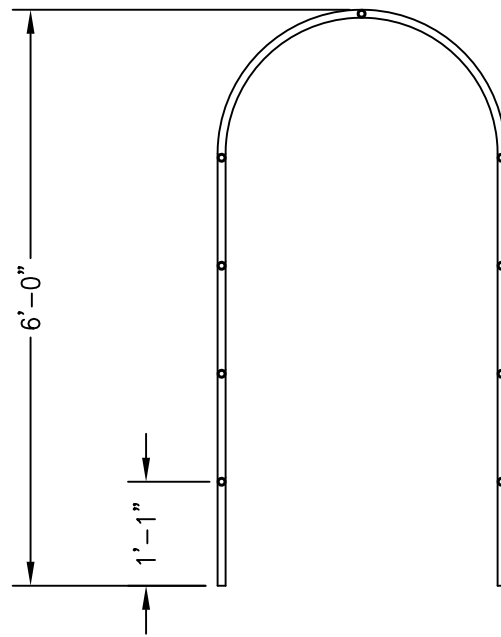


SIDE

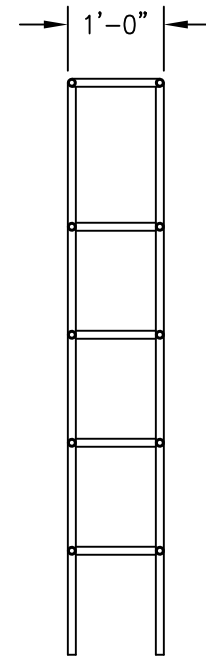
AUTOCAD FINAL PROJECT			DATE: 4-28-16
BLISS INSTALLATION I			
WIRE/FABRIC TREE SCULPTURE			
DIRECTOR:	SOFIA CAETANO	PLATE NO. 5/5	
DESIGNER:	COREY UMLAUF		
DRAFTED BY:	COREY UMLAUF		
SCALE: 3/8" = 1'-0"			



TOP

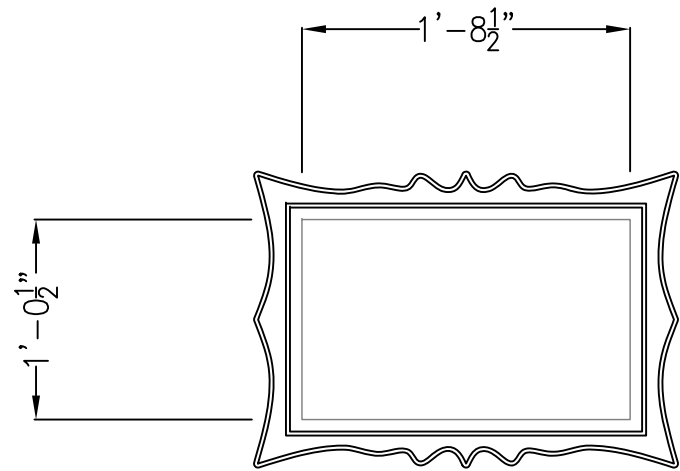


FRONT

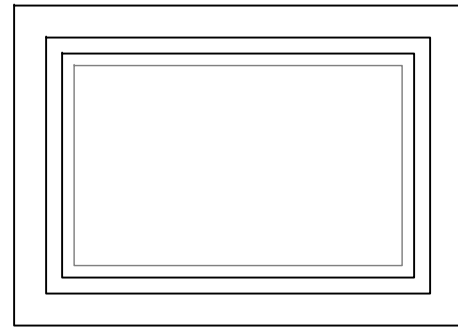


SIDE

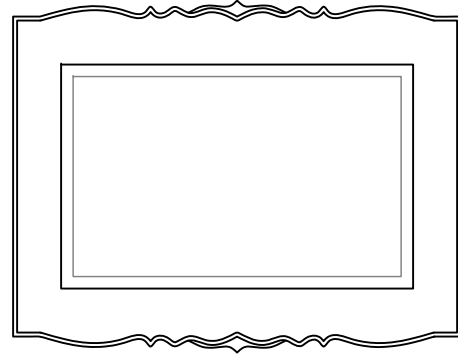
AUTOCAD FINAL PROJECT		DATE: 4-28-16
BLISS INSTALLATION		
FOREST TUNNEL TRELLIS		
DIRECTOR: SOFIA CAETANO	PLATE NO. 7/8	
DESIGNER: COREY UMLAUF		
DRAFTED BY: COREY UMLAUF		
SCALE: 1/2" = 1'-0"		



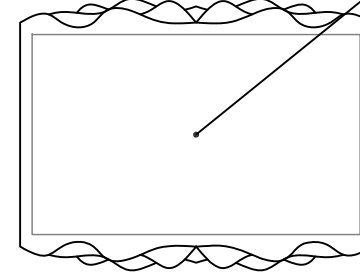
VILLAIN



LOGICIAN

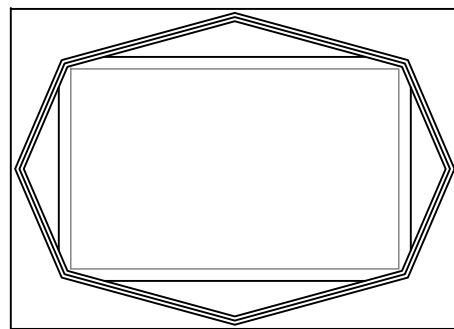


QUEEN

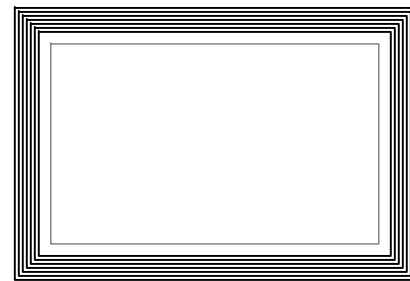


DREAMER

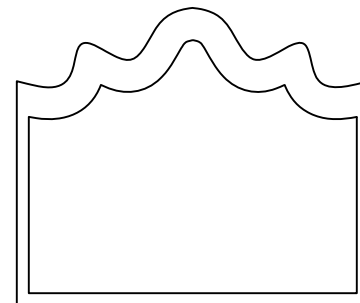
ALL SCREENS
1 1/2" THICK



SCIENTIST



NEAT FREAK



LOVER

AUTOCAD FINAL PROJECT		DATE: 4-28-16
BLISS INSTALLATION		
SEVEN PERSONALITY SCREENS		
DIRECTOR: SOFIA CAETANO	PLATE NO. 8/8	
DESIGNER: COREY UMLAUF		
DRAFTED BY: COREY UMLAUF		
SCALE: 1" = 1'-0"		