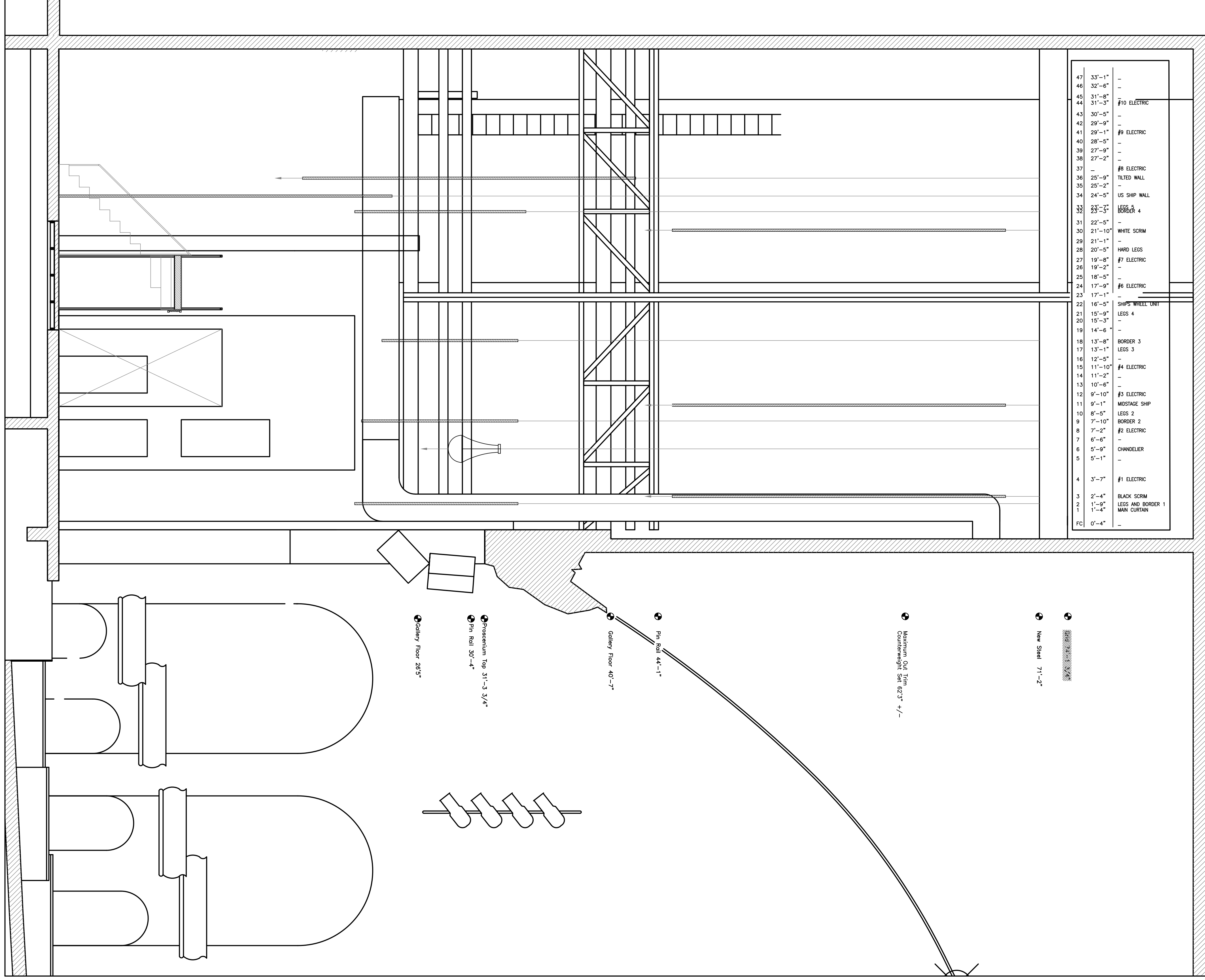


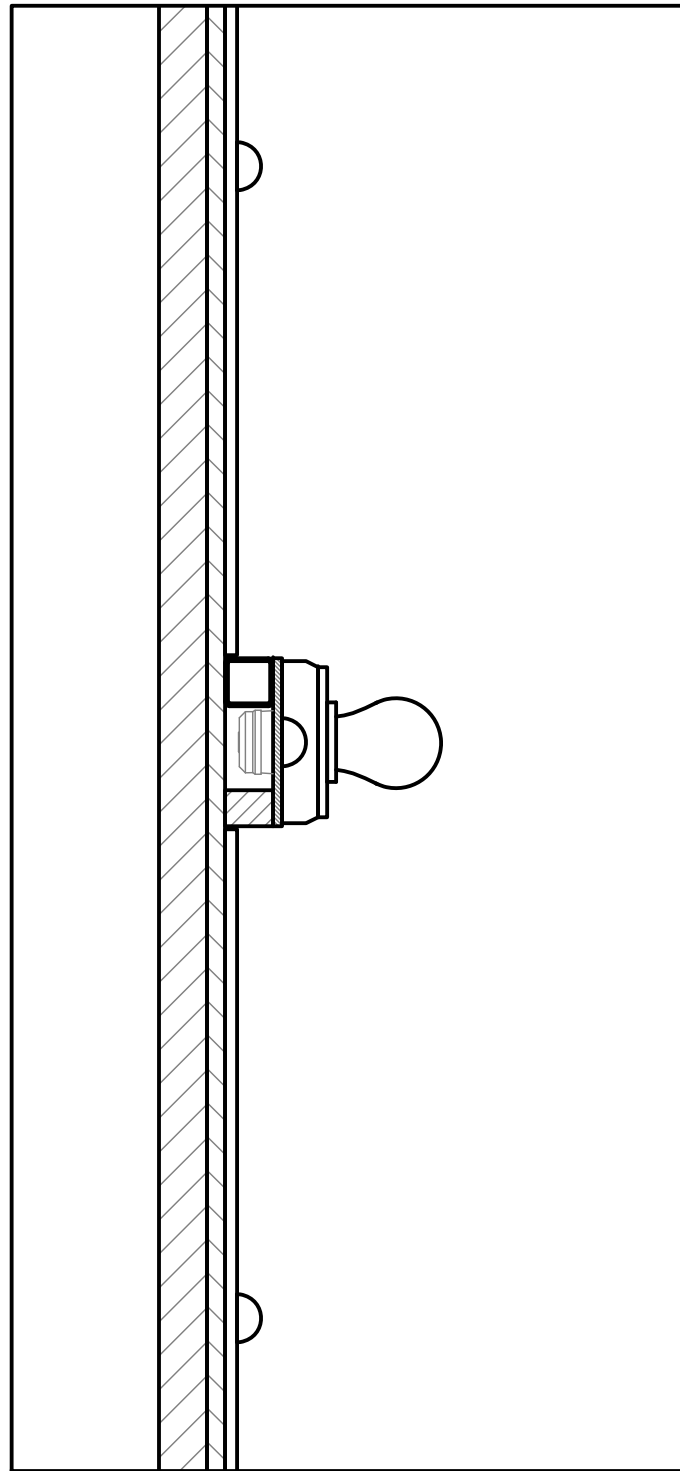
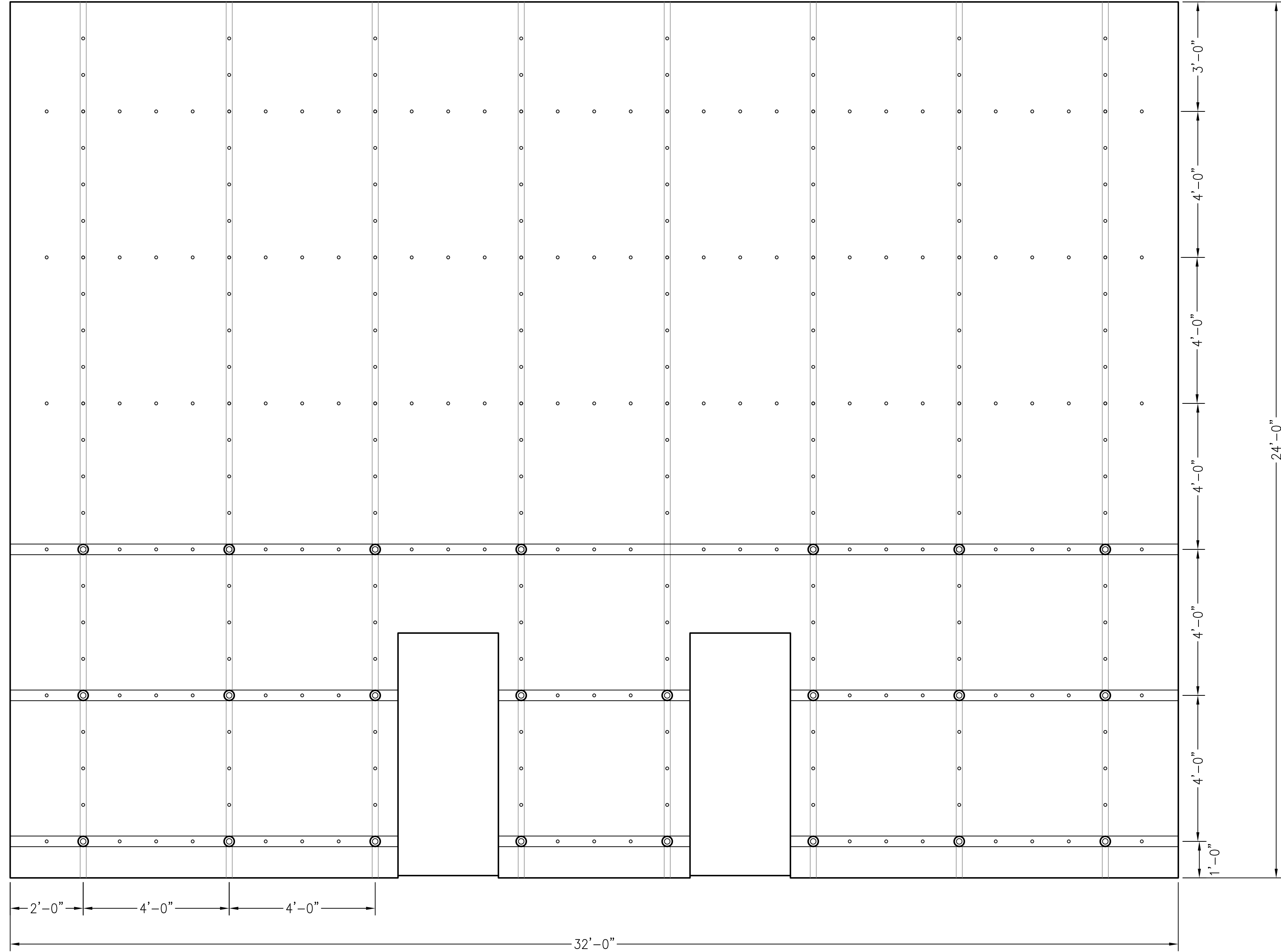
EMERSON COLLEGE	TITANIC EMERSON STAGE		CUTLER MAJESTIC THEATER	DATE: 3-12-17	SCALE: 1/4"=1'-0"	PLATE NO. 1/9
			DIR. S. LAFEVER	REV.: 3-23-17	GROUNDPLAN	
		DES. P. LYNCH		DRAWN BY: C. UMLAUF		



47	33'-1"	-
46	32'-6"	-
45	31'-8"	-
44	31'-3"	#10 ELECTRIC
43	30'-5"	-
42	29'-9"	-
41	29'-1"	#9 ELECTRIC
40	28'-5"	-
39	27'-9"	-
38	27'-2"	-
37	-	#8 ELECTRIC
36	25'-9"	FILLED WALL
35	25'-2"	-
34	24'-5"	US SHIP WALL
33	23'-7"	LEGS 5
32	23'-3"	BORDER 4
31	22'-5"	-
30	21'-10"	WHITE SCRM
29	21'-1"	-
28	20'-5"	HARD LEGS
27	19'-8"	#7 ELECTRIC
26	19'-2"	-
25	18'-5"	-
24	17'-9"	#6 ELECTRIC
23	17'-1"	-
22	16'-5"	SHIPS WHEEL UNIT
21	15'-9"	LEGS 4
20	15'-2"	-
19	14'-6"	-
18	13'-8"	BORDER 3
17	13'-1"	LEGS 3
16	12'-5"	-
15	11'-10"	#4 ELECTRIC
14	11'-2"	-
13	10'-6"	-
12	9'-10"	#3 ELECTRIC
11	9'-1"	WRESTAGE SHP
10	8'-5"	LEGS 2
9	7'-10"	BORDER 2
8	7'-2"	#2 ELECTRIC
7	6'-6"	-
6	5'-9"	CHANDELER
5	5'-1"	-
4	3'-7"	#1 ELECTRIC
3	2'-4"	BLACK SCRM
2	1'-9"	LEGS AND BORDER 1
1	1'-4"	MAN CURTAIN
FC	0'-4"	-

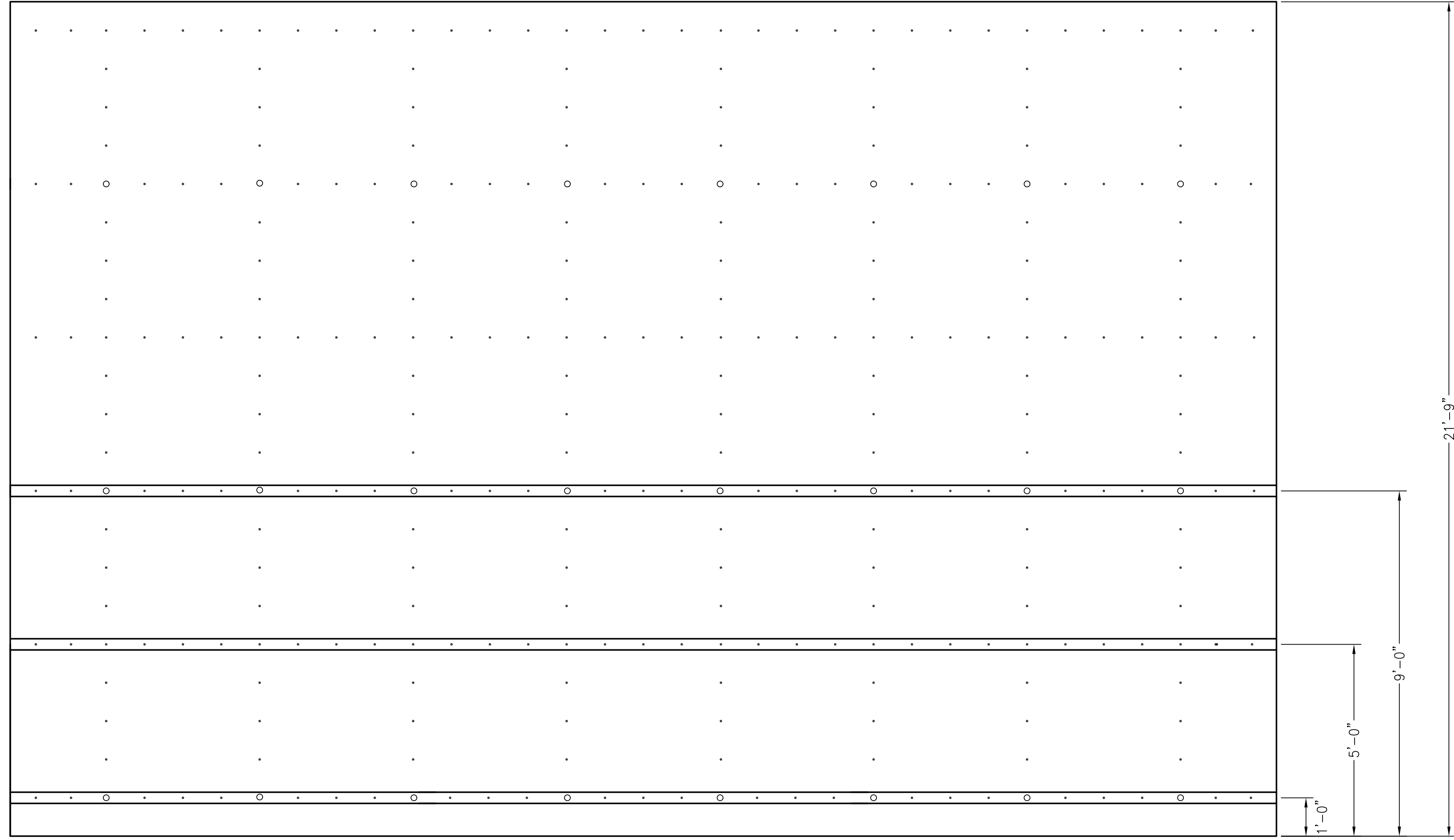
- Maximum Out. Trim Counterweight Set 82'3" +/-
- New Steel 71'-2"
- Pin Rail 44'-1"
- Gallery Floor 40'-7"
- Proscenium Top 31'-3 3/4"
- Pin Rail 30'-4"
- Gallery Floor 26'3"

EMERSON COLLEGE	<h1 style="margin: 0;">TITANIC</h1> <p style="margin: 0;">EMERSON STAGE</p>	DATE: 3-12-17 REV.: 3-12-17 DIR.: S. LAFEBER DES.: P. LYNCH DRAFTER BY: C. UMLAUF	SCALE: 1/4"=1'-0" SECTION	PLATE NO. <h2 style="margin: 0;">2/9</h2>
-----------------	---	---	------------------------------	--



NOTES:  
 RIG TO FLY!  
 DOORS CAN HAVE SILL, SAFETY CLOSURE  
 SOFT COVERED FLATS  
 UNIT PAINTED LIKE METAL SHIP EXTERIOR

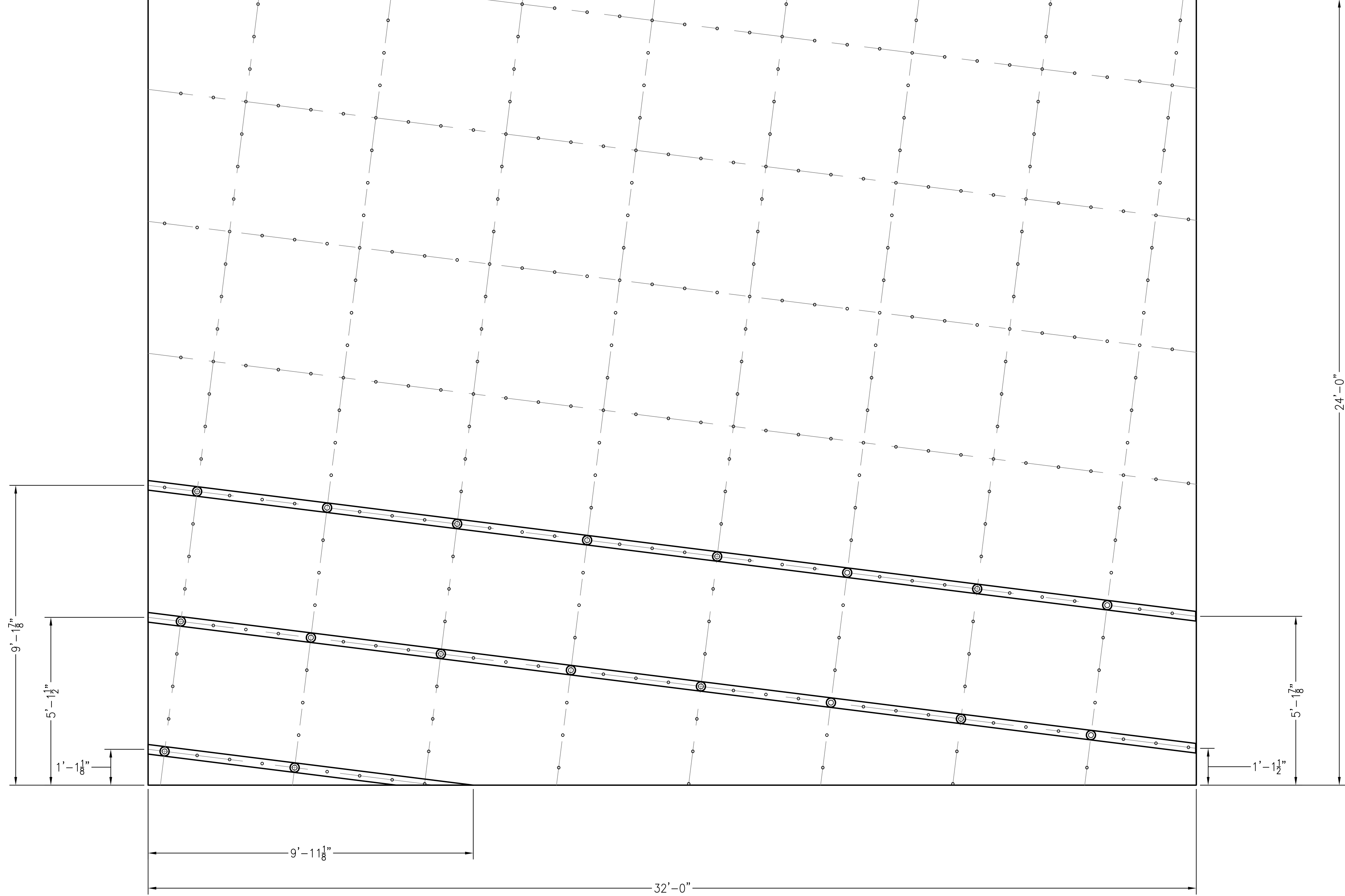
EMERSON COLLEGE	TITANIC EMERSON STAGE		CUTLER MAJESTIC THEATER	DATE: 3-12-17	SCALE: 1/2"=1'-0"	PLATE NO. 3/9
			DIR. S. LAFEBER	REV.: 3-12-17	US WALL 1	
			DES. P. LYNCH	DRAFTED BY: K. CORNELIUS		



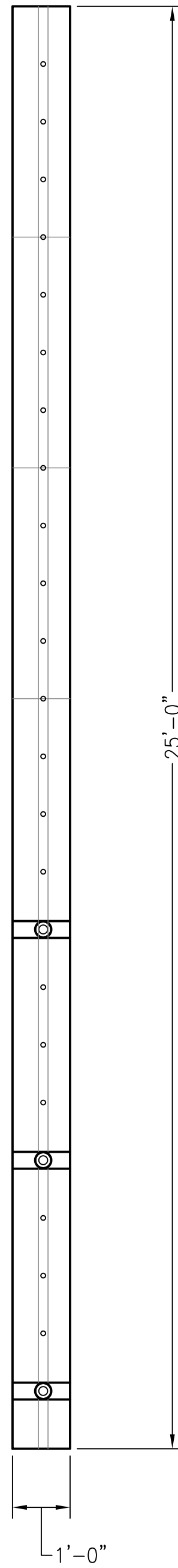
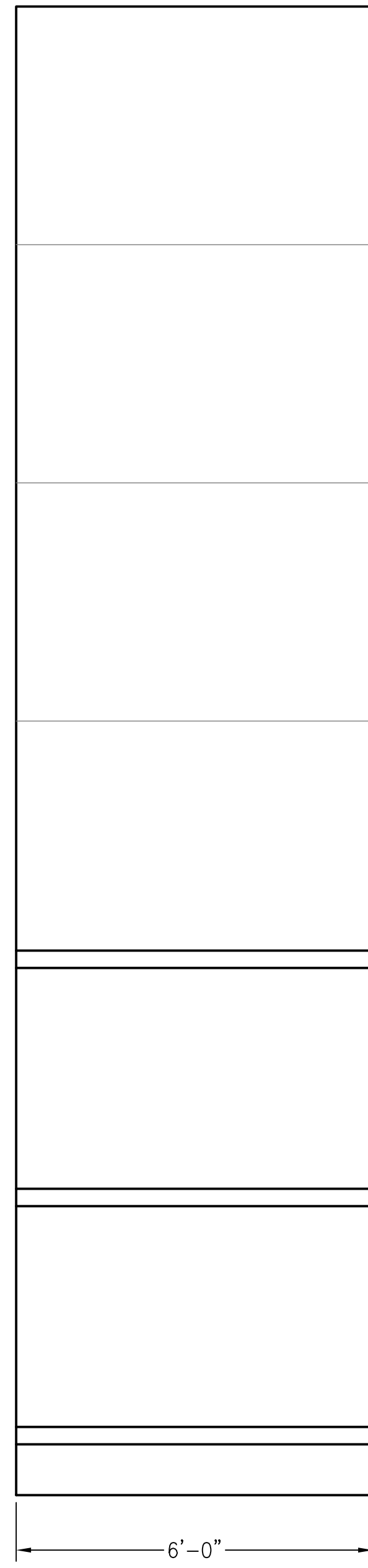
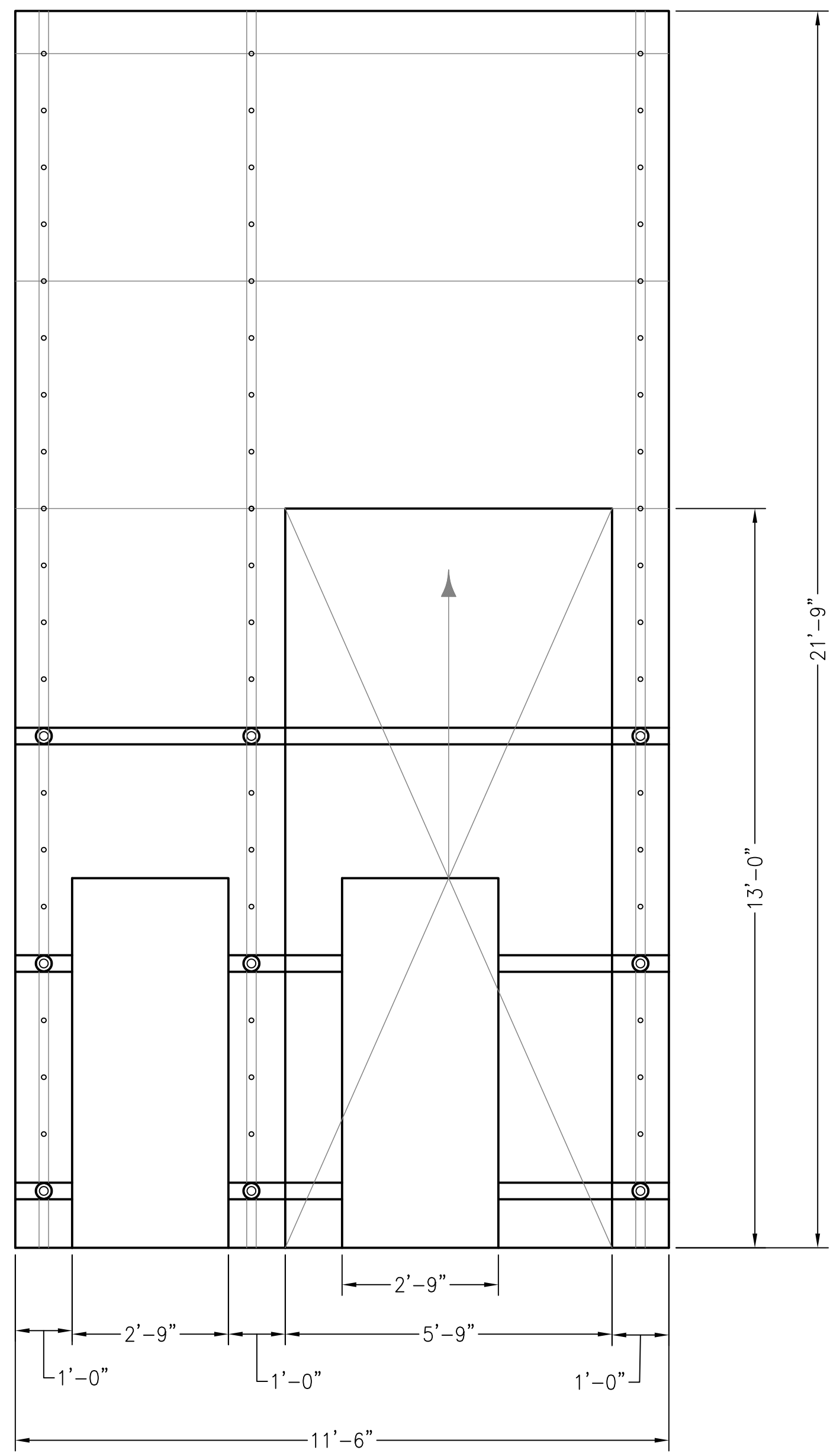
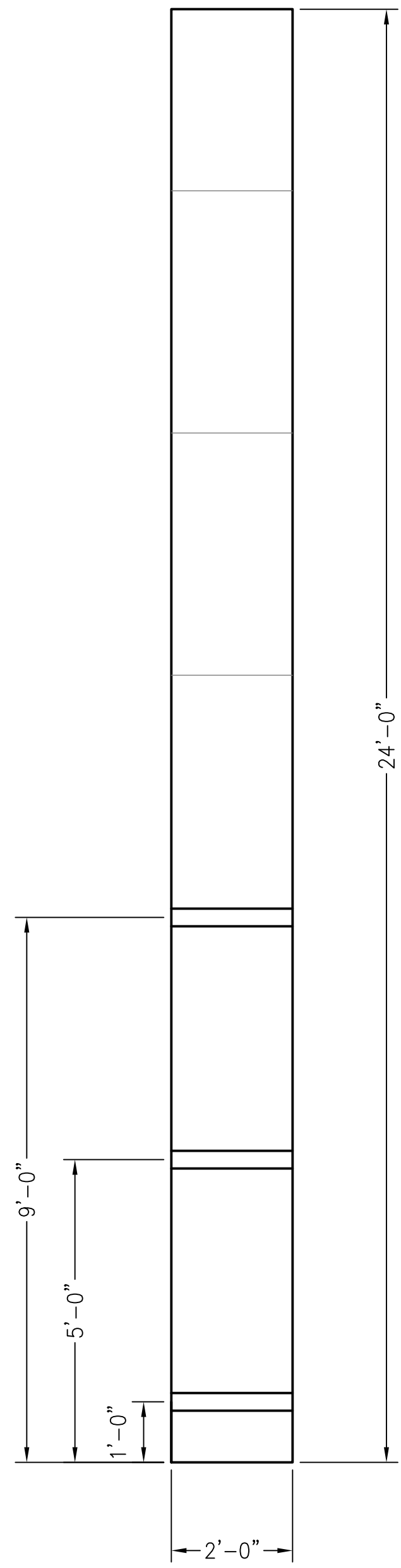
FRONT ELEVATION

PLAN VIEW

EMERSON COLLEGE	TITANIC EMERSON STAGE		CUTLER MAJESTIC THEATER	DATE: 3-13-17	SCALE: 1/2"=1'-0"	PLATE NO.
			DIR. S. LAFEBER	REV.: 3-12-17	MIDSTAGE WALL	4/9
			DES. P. LYNCH	DRAFTED BY: C. UMLAUF		

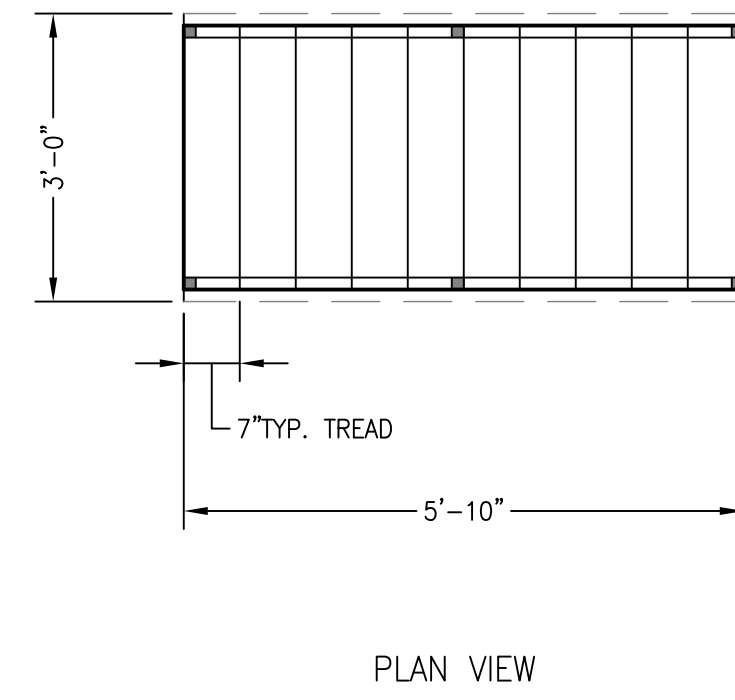
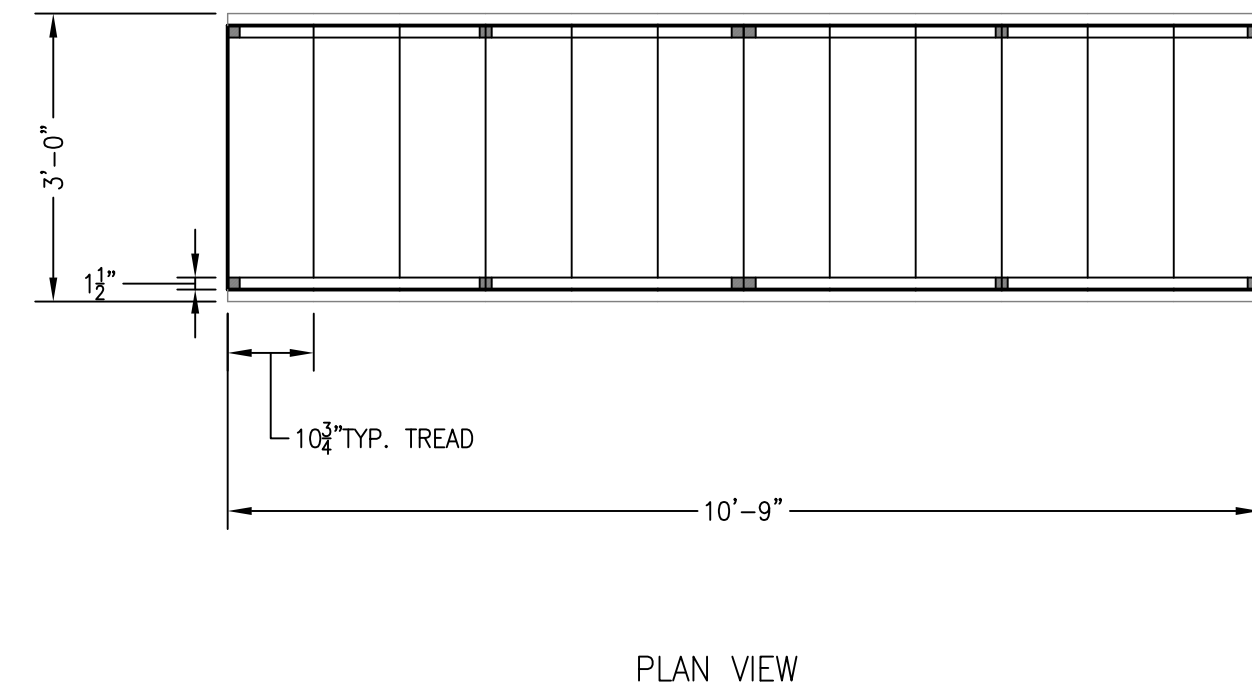
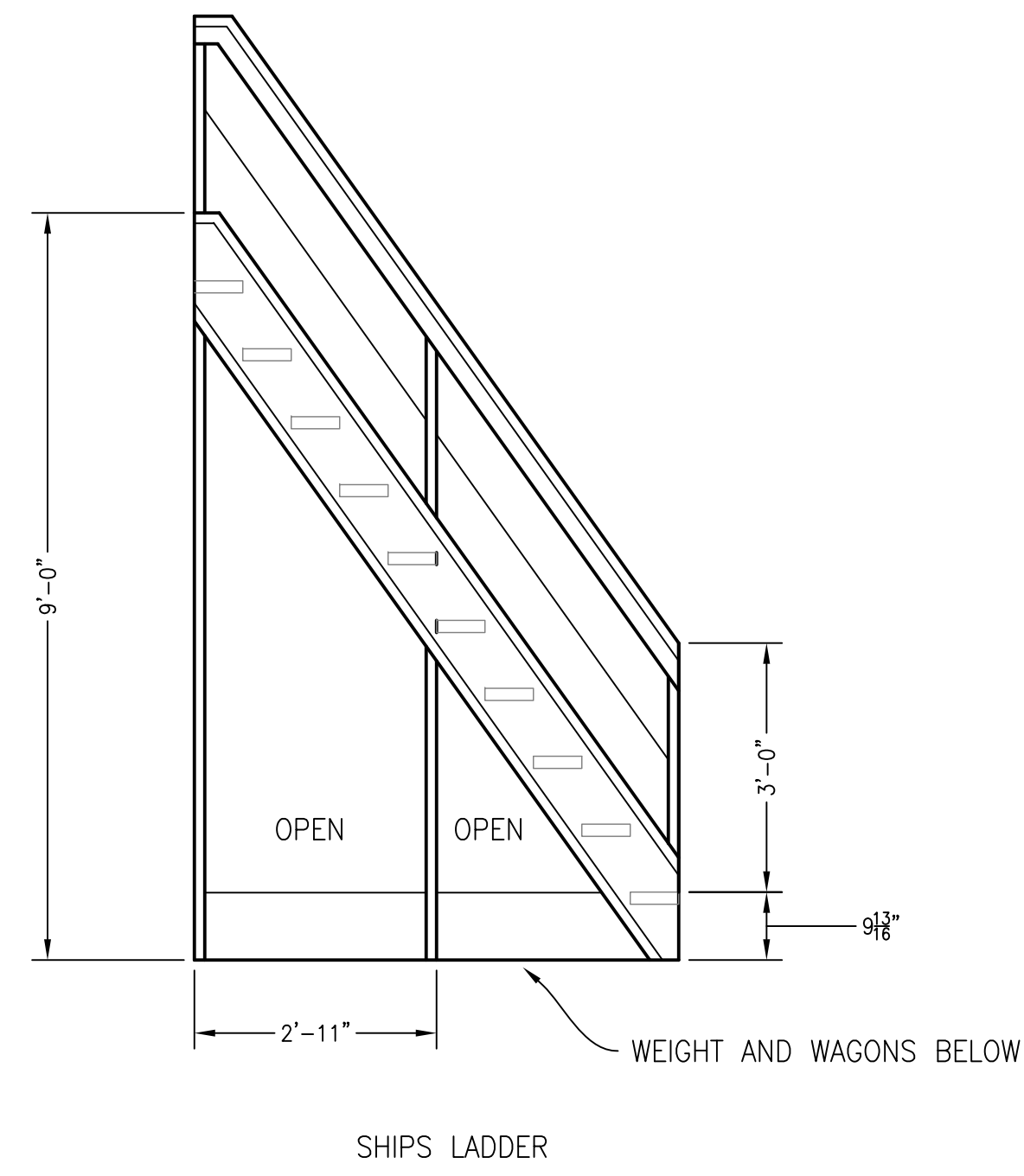
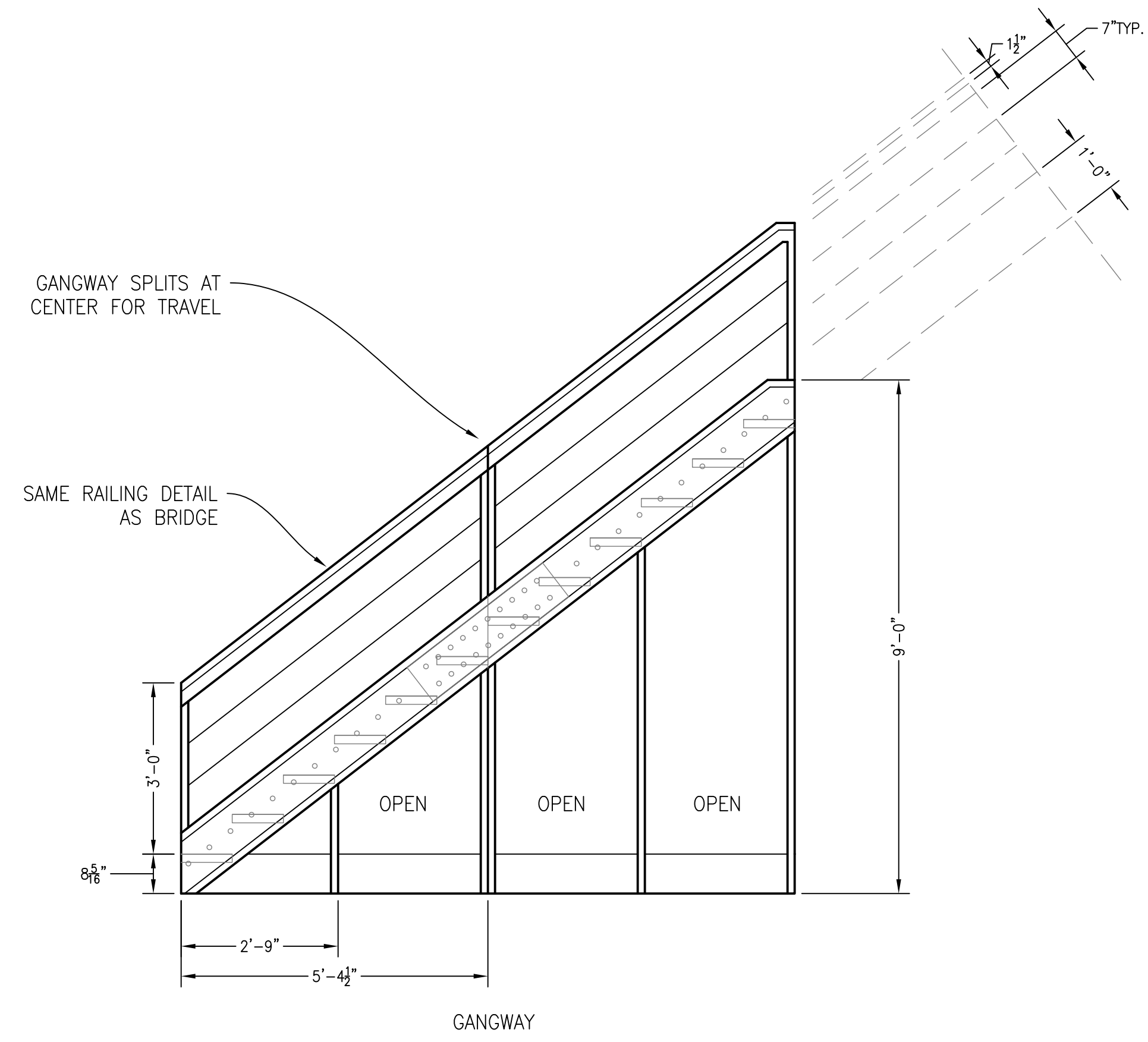


EMERSON COLLEGE	TITANIC EMERSON STAGE		CUTLER MAJESTIC THEATER	DATE: 3-13-17	SCALE: 1/2"=1'-0"	PLATE NO.
	DIR. S. LAFEVER	DES. P. LYNCH	REV.: 3-12-17	DRAFTED BY: C. UMLAUF	TILTED WALL (DROP) ELEVATION	5/9



SEE UPSTAGE WALL #1 PLATE FOR DETAIL OF PANEL RELIEF  
 REVERSE & REPEAT FOR SL MASKING  
 13'x6'-9" PANEL W/ INSET DOOR OPENS VIA FLY! LIKE GARAGE DOOR.

EMERSON COLLEGE	TITANIC EMERSON STAGE		CUTLER MAJESTIC THEATER	DATE:	3-12-17	SCALE:	1/2"=1'-0"	PLATE NO.	6/9
			DIR. S. LAFEBER	REV.:	3-12-17	SR WALLS FRONT ELEVATION			
			DES. P. LYNCH	DRAWN BY:	C. UMLAUF				



EMERSON COLLEGE	TITANIC EMERSON STAGE		CUTLER MAJESTIC THEATER	DATE: 3-12-17	SCALE: 1/2"=1'-0"	PLATE NO. 8/9
	DIR. S. LAFEBER	DES. P. LYNCH	REV.: 3-14-17	DRAFTED BY: C. UMLAUF	GANGWAY AND SHIPS LADDER	